



Kolonia Warszawska
Al. Krakowska 96A
05-552 Wólka Kosowska

Phone: +48 (022) 756 15 86

756 15 44

756 17 07

biuro@plastservicepack.pl
www.plastservicepack.pl

fax: +48 (022) 756 17 02

PRODUCER OF BUCKETS AND PLASTIC CONTAINERS

TECHNICAL SPECIFICATION

W 5 ALL

BASIC DATA

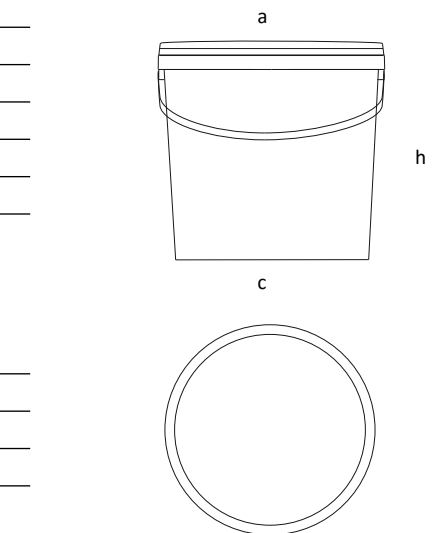
Composition of container	container	lid	handle
Mold numbers:	158	159	00



BUCKET

Nominal capacity	5000 ml
Total capacity up to the lid	5070 ml
Weight of the bucket ¹	126,1 g
a - external dimensions of the crown ²	216 mm
b - internal dimensions of the crown ²	205 mm
c - external dimensions of the bottom ²	185 mm
h - height of the container ²	185 mm
Weight of the handle	4,7 g
Handle type	plastic

¹ tolerance level +/- 3 %
² tolerance level +/- 1 mm



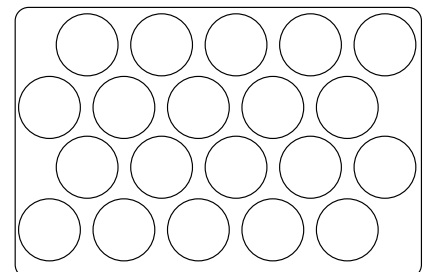
LID

Weight	30,8 g
Internal dimension	216 mm
Height	10 mm
*Sealing lid	- g

PACKING

Way of packaging:	Euro pallet	Boxes		
		large 800x400x620	medium 900x400x310	small 400x400x310
Buckets	1200			
Lids	6000			
Grids				

ARRANGEMENT ON THE PALLET



OVERPRINT

Bucket Offset/IML	+ / -
Lid Offset/IML	- / -

ADDITIONAL

Material	PP/PE
Colors	Standard white color per request
Protection	Tamper evident, rim protecting against opening
Max. compression at 20°C	- kg
Grids	- g
Purpose	General purpose container for packaging, storage and transport of liquids, loose or fluid materials